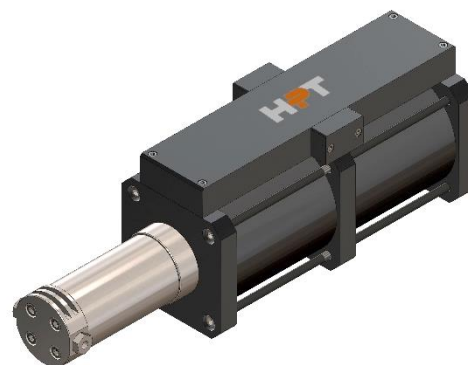


## FEATURES

<b>MODEL</b>	HB250153SS24300			
<b>TYPE</b>	Gas Booster - Single Acting			
	Single Stage - Double Air Drive			
<b>RATING</b>	25,000 psi	-	1724 Bar	
<b>MAX OUTLET PRESSURE (pB)</b>	22,205 psi	-	1531 Bar	
<b>TRANSMISSION RATIO (i)</b>	1:153			

## TECHNICAL

<b>COMPRESSION RATIO</b>	1:15			
<b>DISPLACEMENT CYCLE</b>	1.47 in <sup>3</sup>	-	24.1 cm <sup>3</sup>	
<b>MAX PUMPING SPEED</b>	100 cpm			
<b>MAX OP. TEMPERATURE</b>	212 °F	-	100 °C	



## PERFORMANCES

<b>MAX DRIVE PRESSURE (pL)</b>	145 psi	-	10 Bar	
<b>AIR CONSUPTION</b>	65.2 scfm	-	1,847 NI/min	(pL 145 psi - 10 Bar, 50 cpm)
<b>OUTLET FLOW</b>	4.3 scfm	-	121 NI/min	(pA 1450 psi - 100 Bar, 50 cpm)
<b>MIN INLET PRESSURE (pA)</b>	1,480 psi	-	102 Bar	(to reach pB)
<b>MAX INLET PRESSURE (pA)</b>	25,000 psi	-	1724 Bar	
<b>STALL PRESSURE</b>	i * pL			

## CONNECTIONS

<b>INLET</b>	1/4" BSPP (F)	<b>DRIVE RELIEF VALVE</b>	3/8" BSPP (F)
<b>OUTLET</b>	1/4" BSPP (F)	<b>EXT. PILOT SUPPLY</b>	1/8" BSPP (F)
<b>DRIVE INLET</b>	1/2" BSPP (F)	<b>PULSE COUNTER</b>	1/8" BSPP (F)

## INFORMATIONS

<b>LENGHT</b>	24.0 in	-	610 mm	(approx.)
<b>WIDTH</b>	6.3 in	-	160 mm	(approx.)
<b>HEIGHT</b>	7.9 in	-	200 mm	(approx.)
<b>NET WEIGHT</b>	49.1 lb	-	22.25 Kg	(approx.)

ALL PICTURES SHOWN ARE FOR ILLUSTRATION PURPOSE ONLY. ACTUAL PRODUCT MAY VARY DUE TO PRODUCT ENHANCEMENT.